



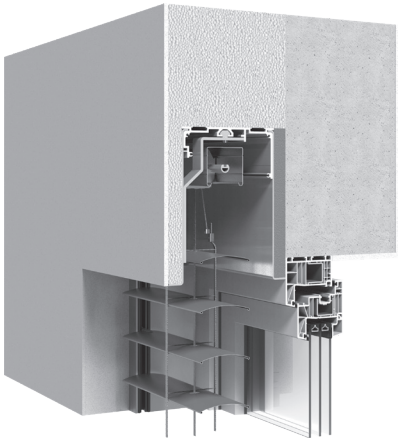
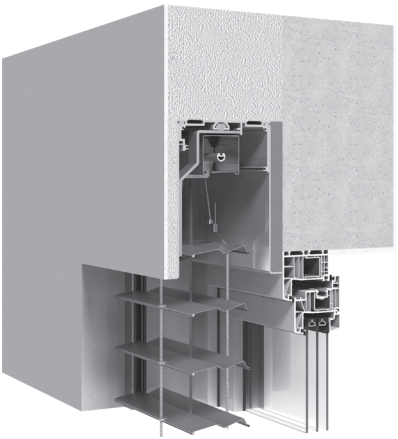
Part of WAREMA GROUP



SOLIDBOX External Venetian Blinds price list

2020

COLOUR OF SOLIDBOX CORD LADDER/LADDER TAPE

	C-80	Z-90
COLOUR OF CORD LADDER/LADDER TAPE		
GREY	V	V
BLACK	V	V

Blinds are manufactured with ladders in grey colour (black is another option at no extra charge).

QUALITY, CARE AND MAINTENANCE / GENERAL ASSEMBLY INSTRUCTIONS

Please note: This information must be passed on to the investor (end-customer – product user).

The product:

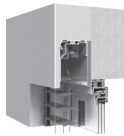
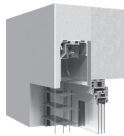
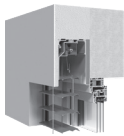
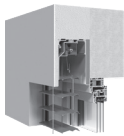
1. Although external venetian blind is a sun-protection device, its design does not guarantee full blackout.
2. Irregular alignment of the ladder between the slats while the blind is raised may result in an uneven packet. This is caused by properties of the fabric the ladder/cloth tape is made of and is a totally natural phenomenon, which may not be subject of complaint.
3. Full alignment of the level of slats in external venetian blinds is possible only in blinds of exactly the same size.
4. Fitting the same kind of motor in two different blinds does not guarantee that their slats will be raised with equal speed (in extreme cases it applies even to blinds of the same size).

Mounting:

1. End positions of external venetian blinds delivered to the client are pre-set automatically. Once the blind is mounted, it is necessary to correct the setting of the upper and lower end position.
2. Before mounting, instalment or adjustment of the motor please read motor instalment and adjustment instructions section of the user manual.
3. Installation should only be carried out by qualified customer service personnel in accordance with the applicable electrical regulations.
4. Non-compliance with the instructions in the operating manual regarding instalment and adjustment of the motor could cause serious personal injury or loss of life; it may also interfere with proper operation of the blind and even invalidate warranty rights.

Price list information – see p. 22.

SOLIDBOX EXTERNAL VENETIAN BLINDS – COLOUR RANGE

COLOUR OF SLATS	COLOUR CODE	C-80		Z-90		COLOUR OF ACCESSORIES	SOLIDBOX CASSETTE / GUIDE CHANNELS	BOTTOM BAR
								
SILVER	RAL 9006	V	V	V	V	RAL 9006	V	V
SILVER (GREY)	RAL 9007	V	V	V	V	RAL 9007	V	V
ANTHRACITE	RAL 7016	V	V	V	V	RAL 7016	V	V
WHITE	RAL 9016	V	V	V	V	RAL 9016	V	V
BEIGE	VSR 240	V	V	V	V	VSR 240	V	V
ANTHRACITE (STRUCTURED)	DB 703	V	V	V	V	DB 703	V	V
BASALT GREY	RAL 7012	V	V	V	V	RAL 7012	V	V
BLACK	RAL 9005	V	V	V	V	RAL 9005	V	●
LIGHT IVORY	N 0502-Y	V				RAL 1013		●
BROWN	N 8010	V				RAL 8014		●
BEIGE GREY	VSR 780	V				RAL 7013		●
PURPLE RED	N 3560	V				RAL 3011		●
YELLOW	N 1080	V				RAL 1037		●
PIGEON BLUE	N 4030	V				RAL 5014		●
MOSS GREEN	N 7020	V				RAL 6005		●
CREAM	N 0502-B	V				RAL 9016		V
GREY	N 3000	V				RAL 7038		●
DUSTY GREY	RAL 7037	V				RAL 7037		●
LIGHT GREY	RAL 7035	V				RAL 7035		●
BLUE	RAL 5002	V				RAL 5002		●
GOLDEN OAK		●				RAL 8007		●
WALNUT		●				RAL 8014		●
ANY RAL COLOUR: (pearly, metallic and fluorescent colours excluded) INDIVIDUAL PRICING					INDIVIDUAL PRICING			●

V standard
● extra colour (extra charge)

PRODUCT DESCRIPTION:

THE PACKET OF SLATS:

- aluminium slats, 80 mm wide, covered with weather resistant varnish
- bottom bar: 83 x 13 mm
- lift tape, 6mm wide, made of strong and versatile Kevlar fibres
- ladder made of weather and UV resistant polyester
- max. dimensions of the blind:
width: 4000 mm, height: 3500 mm, total surface area: 14 m²

SLAT GUIDANCE

- aluminium guide channels 27,5 mm wide available in 2 sizes: 95, 110 mm
- aluminium guide pins

SOLIDBOX CASSETTE

- available in 3 sizes: 220, 270, 320 mm
- parts of cassette not covered by plaster + 10 cm on the inside as standard – **option 1**
- **cassette insulation with XPS board (no charge)**

DRIVE

- the price in the table does **not include** the price of electric drive. The price of electric drive should be looked up in OPTIONAL COMPONENTS section (**A,B,C range drive**) and added to the price in the table.

example - SOLIDBOX blind - 2000 x 2000 mm ELERO JA drive
350 EUR + 89 EUR (**price of A range drive**)

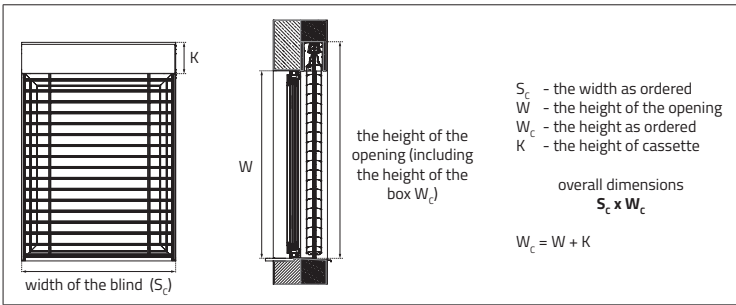
Height of the cassette	Height/Width	800	900	1000	1100	1200	1300	1400	1500	1600	1700	1800	1900	2000	2100	2200	2300	2400	2500	2600	
220	800	129	137	146	154	162	176	185	200	215	224	233	241	250	258	267	276	284	299	313	
	900	134	143	151	160	168	182	191	206	222	231	240	248	257	266	275	284	293	308	322	
	1000	140	148	157	165	174	188	197	213	229	238	247	256	265	274	283	292	301	316	330	
	1100	145	154	162	171	180	195	204	219	236	245	254	263	272	281	291	300	309	325	339	
	1200	150	159	168	177	186	201	210	226	242	252	261	271	280	289	299	308	318	333	348	
	1300	156	165	174	183	192	207	217	233	249	259	269	278	288	297	307	316	326	342	357	
	1400	161	170	179	189	198	213	223	240	256	266	276	285	295	305	315	324	334	351	365	
	1500	166	176	185	195	204	219	229	246	263	273	283	293	303	313	322	332	342	359	374	
	1600	172	181	191	200	210	226	236	253	270	280	290	300	310	320	330	340	351	368	383	
	1700	181	191	201	212	222	238	249	267	285	295	306	317	328	338	349	360	371	389	405	
270	1800	186	197	207	218	228	244	255	274	292	303	314	324	335	346	357	368	379	398	413	
	1900	192	202	213	224	234	251	262	281	299	310	321	332	343	354	365	376	387	406	422	
	2000	197	208	218	229	240	257	268	287	305	317	328	339	350	361	373	384	395	414	431	
	2100	202	213	224	235	246	263	274	294	312	324	335	347	358	369	381	392	403	423	440	
	2200	207	219	230	241	252	269	281	301	319	331	342	354	365	377	389	400	412	432	448	
	2300	213	224	235	247	258	275	287	307	326	338	349	361	373	385	397	408	420	440	457	
	2400	218	230	241	253	264	281	293	314	333	345	357	369	381	393	404	416	428	449	466	
	2500	223	235	247	259	270	288	300	321	340	352	364	376	388	400	412	425	437	457	475	
	2600	229	241	253	264	276	294	315	327	347	359	371	384	396	408	420	441	453	466	483	
	2700	234	246	258	270	282	300	321	334	353	366	378	391	403	416	428	449	462	475	500	
320	2800	239	251	264	276	288	306	328	341	360	373	386	398	411	423	436	458	470	491	509	
	2900	245	257	270	282	294	312	334	347	367	380	393	405	418	431	444	466	486	499	517	
	3000	250	262	275	287	300	318	341	354	374	387	400	413	426	439	452	481	494	508	526	
	3100	260	274	287	300	313	341	355	369	390	403	417	431	444	475	488	502	516	530	549	
	3200	266	279	292	306	319	348	362	376	397	410	424	438	452	483	497	511	524	538	558	
	3300	271	284	298	312	325	354	368	382	403	417	431	453	467	490	505	519	532	547	566	
	3400	276	290	304	317	331	360	375	389	410	424	439	460	475	498	513	527	541	556	575	
	3500	281	295	309	323	337	367	381	396	417	432	446	468	482	506	521	535	550	564	584	
	Extra charge for bottom rail in RAL colour		2,4	2,7	3	3,3	3,6	3,9	4,2	4,5	4,8	5,1	5,4	5,7	6	6,3	6,6	6,9	7,2	7,5	7,8
	SOLIDBOX cassette varnishing – standard colours – option 2		6,4	7,2	8	8,8	9,6	10,4	11,2	12	12,8	13,6	14,4	15,2	16	16,8	17,6	18,4	19,2	20	20,8
SOLIDBOX cassette varnishing – RAL colours – option 1		6,4	7,2	8	8,8	9,6	10,4	11,2	12	12,8	13,6	14,4	15,2	16	16,8	17,6	18,4	19,2	20	20,8	
SOLIDBOX cassette varnishing – RAL colours – option 2		12,8	14,4	16	17,6	19,2	20,8	22,4	24	25,6	27,2	28,8	30,4	32	33,6	35,2	36,8	38,4	40	41,6	
Anchor bolt		2 pcs			3 pcs			4 pcs			5 pcs			6 pcs							
Head rail fixing brackets		2 pcs					3 pcs					4 pcs									

ELECTRIC DRIVES

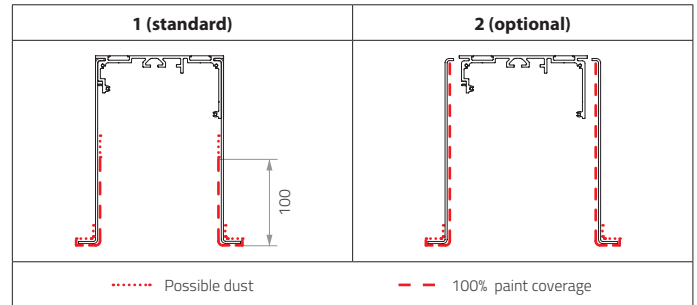
Item (extra charge)	Unit	Price	Comments	Item (extra charge)	Unit	Price	Comments
STANDARD ELECTRIC DRIVE				RADIO CONTROL			
Elero JA drive - A	pcs	89	end positions established mechanically	Somfy RTS drive - A	pcs	185	end positions established electronically
Elero JA drive - B	pcs	101		Somfy RTS drive - B	pcs	198	
Elero JA drive - C	pcs	125		Somfy RTS drive - C	pcs	252	
Elero JA COMFORT drive - A	pcs	127	end positions established electronically with an installation cable	Elero JA COMFORT 868 drive - A	pcs	161	end positions established electronically
Elero JA COMFORT drive - B	pcs	147		Elero JA COMFORT 868 drive - B	pcs	185	
Elero JA COMFORT drive - C	pcs	155		Elero JA COMFORT 868 drive - C	pcs	195	
Somfy WT drive - A	pcs	89	end positions established electronically with an installation cable	RADIO CONTROL – io-homecontrol			
Somfy WT drive - B	pcs	101		Somfy io-homecontrol PROTECT drive - A	pcs	229	end positions established electronically
Somfy WT drive - C	pcs	125		Somfy io-homecontrol PROTECT drive - B	pcs	247	
Somfy WT PROTECT drive - A	pcs	106	Somfy io-homecontrol PROTECT drive - C	pcs	277		
Somfy WT PROTECT drive - B	pcs	122	end positions established electronically with an installation cable	CONTROL			
Somfy WT PROTECT drive - C	pcs	152		wire control / wire - group control / radio control / io-homecontrol	see pp. 10 - 21		



MEASUREMENT



CASSETTE VARNISHING OPTIONS



Height/ Width	2700	2800	2900	3000	3100	3200	3300	3400	3500	3600	3700	3800	3900	4000	Extra charge for 2 side guides in RAL	Extra charge for 2 spacers	Extra charge for 2 spacers in RAL
800	322	330	339	348	357	365	374	383	398	410	419	428	436	445	10,4	4,8	8,8
900	331	340	348	357	366	375	384	393	408	421	430	439	447	456	11,7	5,4	9,9
1000	339	348	358	366	376	385	394	403	418	431	440	449	458	468	13	6	11
1100	348	358	367	376	385	395	404	413	429	442	451	460	470	479	14,3	6,6	12,1
1200	357	367	376	386	395	404	414	423	439	453	462	472	481	490	15,6	7,2	13,2
1300	366	376	386	395	405	414	424	434	450	463	473	483	492	502	16,9	7,8	14,3
1400	375	385	395	404	414	424	434	443	460	474	484	493	503	513	18,2	8,4	15,4
1500	384	394	404	414	424	434	444	454	471	485	495	505	515	524	19,5	9	16,5
1600	393	403	413	423	434	444	454	464	481	495	505	516	526	536	20,8	9,6	17,6
1700	415	426	437	448	458	469	480	491	509	524	534	545	556	567	22,1	10,2	18,7
1800	424	435	446	457	468	479	490	501	520	534	545	556	567	578	23,4	10,8	19,8
1900	433	444	456	467	478	489	500	511	530	545	556	567	579	590	24,7	11,4	20,9
2000	442	453	465	476	487	499	510	521	540	556	567	578	597	608	26	12	22
2100	451	463	474	485	497	508	520	531	551	566	585	597	608	620	27,3	12,6	23,1
2200	460	472	483	495	507	518	530	542	569	585	596	608	620	631	28,6	13,2	24,2
2300	469	481	492	504	516	528	547	559	579	595	607	619	631	642	29,9	13,8	25,3
2400	478	490	502	514	533	545	557	569	590	606	618	630	642	654	31,2	14,4	26,4
2500	487	499	519	531	543	555	567	580	600	617	629	641	653	665	32,5	15	27,5
2600	503	516	528	540	553	574	586	598	611	627	640	652	664	677	33,8	15,6	28,6
2700	512	525	537	550	562	583	596	608	621	638	650	663	675	688	35,1	16,2	29,7
2800	521	534	547	559	572	593	606	619	632	648	661	674	686	699	36,4	16,8	30,8
2900	530	543	556	569	582	603	616	629	642	659	672	685	698	711	37,7	17,4	31,9
3000	539	552	565	578	591	613	626	639	653	670	683	696	709	722	39	18	33
3100	562	576	599	613	626	640	654	667	681	699	722	736	750	763	40,3	18,6	34,1
3200	571	585	608	622	636	650	664	678	692	710	733	747	761	775	41,6	19,2	35,2
3300	580	594	618	632	646	660	674	688	702	720	744	758	772	786	42,9	19,8	36,3
3400	589	603	627	641	656	670	684	698	713	731	755	769	784	798	44,2	20,4	37,4
3500	598	612	637	651	666	680	694	709	723	742	766	781	795	809	45,5	21	38,5

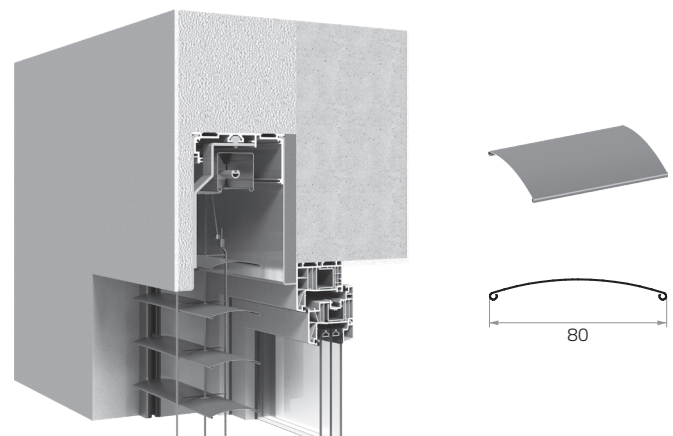
8,1	8,4	8,7	9	9,3	9,6	9,9	10,2	10,5	10,8	11,1	11,4	11,7	12	Extra charge for bottom rail in RAL colour
-----	-----	-----	---	-----	-----	-----	------	------	------	------	------	------	----	---

21,6	22,4	23,2	24	24,8	25,6	26,4	27,2	28	28,8	29,6	30,4	31,2	32	SOLIDBOX cassette varnishing - standard colours - option 2
21,6	22,4	23,2	24	24,8	25,6	26,4	27,2	28	28,8	29,6	30,4	31,2	32	SOLIDBOX cassette varnishing - RAL colours - option 1
43,2	44,8	46,4	48	49,6	51,2	52,8	54,4	56	57,6	59,2	60,8	62,4	64	SOLIDBOX cassette varnishing - RAL colours - option 2

6 pcs	7 pcs	8 pcs	Anchor bolt
	4 pcs	5 pcs	Head rail fixing brackets

OPTIONAL COMPONENTS

Item (extra charge)	Unit	Price	Comments
FIXING COMPONENTS			
Anchor bolt	pcs	0,5	
SLAT ROTATION			
90°			standard (no extra charge)
180°		3%	extra charge added to basic price
OTHER			
Wood-like colours of slats		30%	golden oak, nut



BGR SOLIDBOX Z-90 EXTERNAL VENETIAN BLIND

PRODUCT DESCRIPTION:

THE PACKET OF SLATS:

- aluminium slats, 90 mm wide, covered with weather resistant varnish
- bottom bar: 93 x 13 mm
- lift tape, 8 mm wide, made of strong and versatile Kevlar fibres
- max. dimensions of the blind:
width: 4000 mm, height: 3500 mm,
total surface area: 14 m²

SLAT GUIDANCE

- aluminium guide channels 27,5 mm wide
available in 2 sizes: 95, 110 mm
- aluminium guide pins

SOLIDBOX CASSETTE

- available in 3 sizes: 220, 270, 320 mm
- parts of cassette not covered by plaster + 10 cm on the inside as standard – **option 1**
- **cassette insulation with XPS board (no charge)**

DRIVE

- the price in the table does **not include** the price of electric drive. The price of electric drive should be looked up in OPTIONAL COMPONENTS section (**A,B,C range drive**) and added to the price in the table.

example - SOLIDBOX blind - 2000 x 2000 mm
ELERO JA drive
368 EUR + 89 EUR (**price of A range drive**)

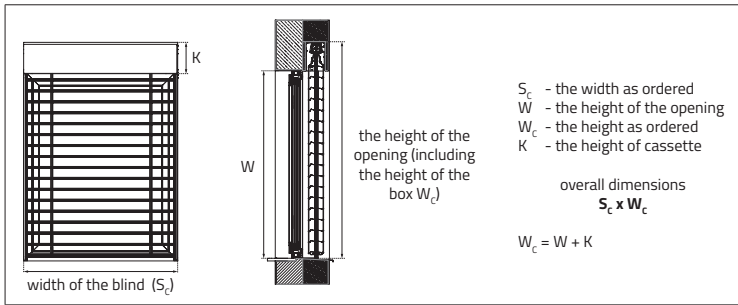
Height of the cassette	Height/Width	800	900	1000	1100	1200	1300	1400	1500	1600	1700	1800	1900	2000	2100	2200	2300	2400	2500	2600
220	800	131	139	148	156	164	178	187	203	219	228	236	245	254	262	271	280	288	305	319
	900	137	145	154	162	171	185	194	211	227	236	245	253	262	271	280	289	298	315	329
	1000	143	152	160	169	178	192	201	219	235	244	253	262	271	280	289	299	308	325	340
	1100	149	158	167	175	184	199	208	227	243	252	261	271	280	289	298	308	317	335	350
	1200	155	164	173	182	191	206	215	235	251	260	270	279	289	298	308	317	326	346	360
	1300	161	170	179	189	198	213	222	242	259	268	278	287	297	307	317	326	336	356	370
	1400	167	176	186	195	204	220	230	250	267	277	286	296	306	316	326	336	345	366	381
	1500	173	183	192	202	211	227	237	258	275	285	295	305	315	325	335	345	355	376	391
	1600	179	189	198	208	218	234	244	265	282	293	303	313	323	334	344	354	364	386	401
	1700	185	195	205	215	225	240	251	273	290	301	311	322	332	343	353	363	374	396	412
270	1800	191	201	211	221	231	247	258	281	298	309	320	330	341	351	362	373	383	406	422
	1900	201	212	223	234	244	261	272	296	314	326	337	348	360	371	382	393	405	429	445
	2000	207	218	229	240	251	268	279	304	322	334	345	357	368	380	391	403	414	439	455
	2100	213	224	235	246	258	275	286	312	330	342	354	365	377	389	400	412	424	449	466
	2200	219	230	242	253	265	282	293	320	338	350	362	374	386	398	409	421	433	459	476
	2300	225	237	248	260	272	289	301	327	346	359	370	383	395	407	419	431	443	470	486
	2400	231	242	254	266	278	295	308	335	354	366	379	391	403	415	428	440	452	480	497
	2500	237	249	261	273	285	303	315	343	362	375	387	400	412	424	437	449	462	490	507
320	2600	242	255	267	279	291	309	337	351	370	383	395	408	420	433	446	474	486	500	517
	2700	249	261	274	286	298	316	345	358	378	391	404	416	429	442	455	484	497	510	535
	2800	260	273	286	299	312	331	361	375	395	408	422	435	449	462	476	506	519	540	559
	2900	265	279	292	305	319	337	368	382	403	416	430	444	457	471	485	515	536	550	569
	3000	272	285	298	312	325	345	376	390	411	425	439	452	466	480	494	532	546	560	579
	3100	277	291	305	318	332	369	383	398	418	433	447	461	475	514	528	542	556	570	590
	3200	283	297	311	325	339	377	391	405	427	441	455	469	484	523	538	552	566	581	600
	3300	289	304	318	332	346	384	399	413	435	449	464	485	500	533	547	562	576	591	610
	3400	295	310	324	338	352	391	406	421	442	457	472	493	508	542	557	571	586	601	621
	3500	301	316	330	345	359	399	414	429	450	465	480	502	517	552	566	581	596	611	631
Extra charge for bottom rail in RAL colour		2,4	2,7	3	3,3	3,6	3,9	4,2	4,5	4,8	5,1	5,4	5,7	6	6,3	6,6	6,9	7,2	7,5	7,8
SOLIDBOX cassette varnishing – standard colours – option 2		6,4	7,2	8	8,8	9,6	10,4	11,2	12	12,8	13,6	14,4	15,2	16	16,8	17,6	18,4	19,2	20	20,8
SOLIDBOX cassette varnishing – RAL colours – option 1		6,4	7,2	8	8,8	9,6	10,4	11,2	12	12,8	13,6	14,4	15,2	16	16,8	17,6	18,4	19,2	20	20,8
SOLIDBOX cassette varnishing – RAL colours – option 2		12,8	14,4	16	17,6	19,2	20,8	22,4	24	25,6	27,2	28,8	30,4	32	33,6	35,2	36,8	38,4	40	41,6
Anchor bolt		2 pcs			3 pcs				4 pcs				5 pcs				6 pcs			
Head rail fixing brackets		2 pcs						3 pcs						4 pcs						

ELECTRIC DRIVES

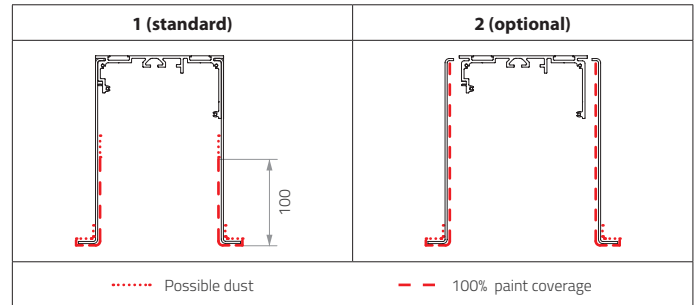
Item (extra charge)	Unit	Price	Comments	Item (extra charge)	Unit	Price	Comments
STANDARD ELECTRIC DRIVE				RADIO CONTROL			
Elero JA drive - A	pcs	89	end positions established mechanically	Somfy RTS drive - A	pcs	185	end positions established electronically
Elero JA drive - B	pcs	101		Somfy RTS drive - B	pcs	198	
Elero JA drive - C	pcs	125		Somfy RTS drive - C	pcs	252	
Elero JA COMFORT drive - A	pcs	127	end positions established electronically with an installation cable	Elero JA COMFORT 868 drive - A	pcs	161	end positions established electronically
Elero JA COMFORT drive - B	pcs	147		Elero JA COMFORT 868 drive - B	pcs	185	
Elero JA COMFORT drive - C	pcs	155		Elero JA COMFORT 868 drive - C	pcs	195	
RADIO CONTROL – io-homecontrol				CONTROL			
Somfy WT drive - A	pcs	89	end positions established electronically with an installation cable	wire control / wire - group control / radio control / io-homecontrol			
Somfy WT drive - B	pcs	101		see pp. 10 - 21			
Somfy WT drive - C	pcs	125					
Somfy WT PROTECT drive - A	pcs	106	end positions established electronically with an installation cable				
Somfy WT PROTECT drive - B	pcs	122					
Somfy WT PROTECT drive - C	pcs	152					



MEASUREMENT



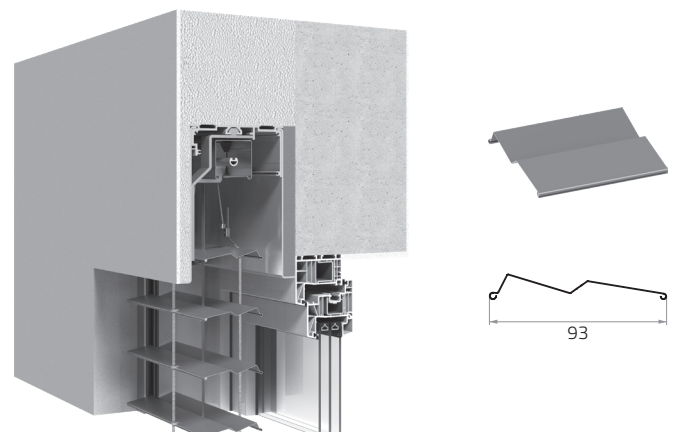
CASSETTE VARNISHING OPTIONS



Height/Width	2700	2800	2900	3000	3100	3200	3300	3400	3500	3600	3700	3800	3900	4000	Extra charge for 2 side guides in RAL	Extra charge for 2 spacers	Extra charge for 2 spacers in RAL
800	327	336	345	354	362	371	380	389	405	418	427	435	444	453	10,4	4,8	8,8
900	338	347	356	365	374	383	392	400	418	431	440	449	457	467	11,7	5,4	9,9
1000	349	358	367	376	385	394	403	413	431	443	453	462	471	480	13	6	11
1100	359	368	378	387	396	406	415	424	443	456	465	475	484	493	14,3	6,6	12,1
1200	370	379	389	398	408	417	427	436	455	469	478	488	497	507	15,6	7,2	13,2
1300	380	390	399	409	419	429	438	448	468	481	491	501	510	520	16,9	7,8	14,3
1400	391	400	410	420	430	440	450	460	480	494	504	514	524	534	18,2	8,4	15,4
1500	401	411	421	432	441	452	462	472	493	507	517	527	537	547	19,5	9	16,5
1600	411	422	432	442	453	463	473	483	505	520	530	540	550	560	20,8	9,6	17,6
1700	422	433	443	454	464	475	485	495	518	532	543	553	564	574	22,1	10,2	18,7
1800	433	443	454	465	475	486	496	507	530	545	555	566	577	587	23,4	10,8	19,8
1900	456	468	479	490	502	513	524	536	560	575	586	598	609	620	24,7	11,4	20,9
2000	467	479	490	502	513	525	536	548	572	588	600	611	630	641	26	12	22
2100	477	489	501	513	524	536	548	559	585	600	619	631	643	654	27,3	12,6	23,1
2200	488	500	512	524	536	548	560	571	604	620	632	644	656	668	28,6	13,2	24,2
2300	499	511	523	535	547	559	578	590	617	633	645	657	670	681	29,9	13,8	25,3
2400	509	521	533	546	565	577	590	602	630	646	658	670	682	695	31,2	14,4	26,4
2500	520	532	552	564	577	589	601	614	642	658	671	683	696	708	32,5	15	27,5
2600	537	550	562	575	588	616	629	641	654	671	684	696	709	722	33,8	15,6	28,6
2700	548	560	573	586	599	628	641	654	667	684	697	710	722	735	35,1	16,2	29,7
2800	572	586	600	613	627	657	670	684	698	715	728	742	756	769	36,4	16,8	30,8
2900	583	597	610	624	638	668	682	696	710	727	741	755	769	782	37,7	17,4	31,9
3000	593	607	621	635	649	680	694	708	722	740	754	768	782	796	39	18	33
3100	604	618	650	664	678	692	706	720	735	753	785	799	813	827	40,3	18,6	34,1
3200	614	629	661	676	690	704	719	733	747	766	798	812	827	841	41,6	19,2	35,2
3300	625	640	673	687	702	716	731	745	760	778	812	826	841	855	42,9	19,8	36,3
3400	635	650	684	699	713	728	743	757	772	791	825	840	854	869	44,2	20,4	37,4
3500	646	661	695	710	725	740	755	770	785	804	838	853	868	883	45,5	21	38,5
8,1	8,4	8,7	9	9,3	9,6	9,9	10,2	10,5	10,8	11,1	11,4	11,7	12	Extra charge for bottom rail in RAL colour			
21,6	22,4	23,2	24	24,8	25,6	26,4	27,2	28	28,8	29,6	30,4	31,2	32	SOLIDBOX cassette varnishing - standard colours - option 2			
21,6	22,4	23,2	24	24,8	25,6	26,4	27,2	28	28,8	29,6	30,4	31,2	32	SOLIDBOX cassette varnishing - RAL colours - option 1			
43,2	44,8	46,4	48	49,6	51,2	52,8	54,4	56	57,6	59,2	60,8	62,4	64	SOLIDBOX cassette varnishing - RAL colours - option 2			
6 pcs				7 pcs				8 pcs				Anchor bolt					
4 pcs								5 pcs				Head rail fixing brackets					

OPTIONAL COMPONENTS

Item (extra charge)	Unit	Price	Comments
FIXING COMPONENTS			
Anchor bolt	pcs	0,5	



XPS EXTRUDED POLYSTYRENE (free of charge option)

Extruded polystyrene (XPS)

Synthos XPS PRIME S is a thermal insulating material in the form of a panel formed in the process of extrusion and direct foaming. It is based on polystyrene resin – food contact material safe for human health. Extruded polystyrene hard foam is a closed-cell foam material which absorbs only minimum quantities of moisture.

XPS PRIME S

PRODUCT ADVANTAGES:

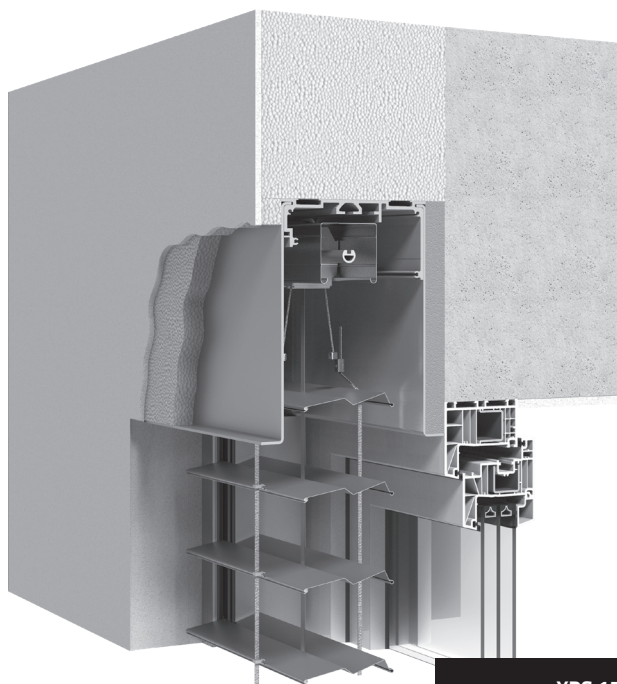
- excellent thermal insulation properties
- closed-cell structure
- low water absorption
- high compressive strength
- trouble-free mounting
- fully recyclable
- cell structure, filled with air, keeps stable thermo-insulation parameters of the product. Additionally, the structure ensures progressive improvement of insulation properties which increase as the temperature outside lowers (the value of thermal conductivity factor decreases)

Thermal parameters

XPS thickness	Unit	Test method	Thermal conductivity factor (λ_D) EN-13164 (10 °C)	Thermal resistance (R_D) EN-13164 (10 °C)
$d_N = 15$ mm	W/(m·K) m ² ·K/W	PN-EN 13164	–	–
$d_N = 20$ mm			0,034	0,50
$d_N = 35$ mm			0,034	1,00

Hydrophobic parameters

Property	Unit	Test method	XPS PRIME S value or feature
Declared water absorbability (prolonged submersion)	%	PN-EN 12087 + A1	≤ 0,70
Average achieved water absorbability (prolonged submersion)	%		≤ 0,25
Short-term water absorption	kg/m ³	PN-EN 1609	≤ 0,50
	kg/m ²		≤ 0,10



synthos XPS

ALUTHERMO QUATTRO INSULATION FOIL (extra paid option)

Aluthermo Quattro is an ultra-thin, multi-reflective, fitted with 4 layers of aluminium, multi-layer insulation material which is thermally-welded across all its surfaces. Aluthermo Quattro* consists of two layers of pure polished aluminium, 30 micron thick, treated against oxidation and divided by two layers of bubbles of dry air in honeycomb structure enclosed in self-extinguishing polyethylene. It is also covered with two extra films of pure aluminium and waterproof and self-extinguishing polyethylene foam. Aluthermo Quattro* is almost impenetrable to infrared radiation, which ensures comfortable temperature conditions both in the summer heat and in the frost of winter. According to research (see technical data) Aluthermo Quattro's* thermal resistance equals $R=5,7m^2K/W$ and its thermal performance is comparable to 20 cm thick mineral wool ($0.040 W/m.K$).

Advantages:

- 3 in 1: a cost-effective solution (wind-protection, thermal insulation, vapour barrier).
- Fire protection class B-d0-s1.
- Lightweight: does not burden nor affect the structure of the entire building.
- Durable: materials used guarantee the highest quality; 30 micron thick aluminium film retains 100% of its insulating properties for many years even when stained or covered in dust; the polyethylene does not undergo degradation as, thanks to the reflective properties of the aluminium film, it is not exposed to extreme temperatures; does not delaminate when cut; treated against oxidation; thermally-welded across all its surfaces.
- Easy mount: one-person job (tools: cutting knife, stapler). Can be fitted to a surface of almost any shape. Lightweight, portable, does not take up much space, does not gather dust.
- A 10-year guarantee: material used am. others in aviation industry.

Thickness	+/- 10 mm
Thickness of the polyethylene film	150 µm
Number of the aluminium films	4
Thickness of the polyethylene foam	3 mm
Thickness of the outer aluminium film	30 µm
Weight	+/- 750 g/m ²
* R [m ² K/W]	R= 5,70 m ² K/W
** R [m ² K/W]	R= 2,80 m ² K/W
Installation temperature range	- 40°C - +80°C
Number of m ² per roll	30,00
Dimensions of the roll	1,20 m x 25 m
Weight of the roll	22,5 kg

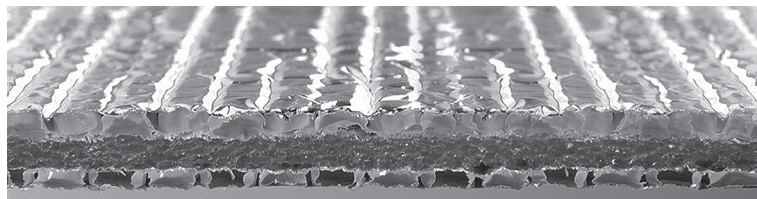
* Performance data valid only for installation between 2 air gaps (without direct contact with any other material).

** Performance data valid only for installation without air gaps (with direct contact with some other material).

ALUTHERMO QUATTRO FOIL INSULATION price list

Aluthermo Quattro® price EUR / roll (30 m ²)	Aluthermo Quattro® price EUR / metre (1m = 1,2 m ²)	Aluminium tape 100 mm x 45 m (roll) for joining Aluthermo® sheets Price EUR /roll
472	26	22,4

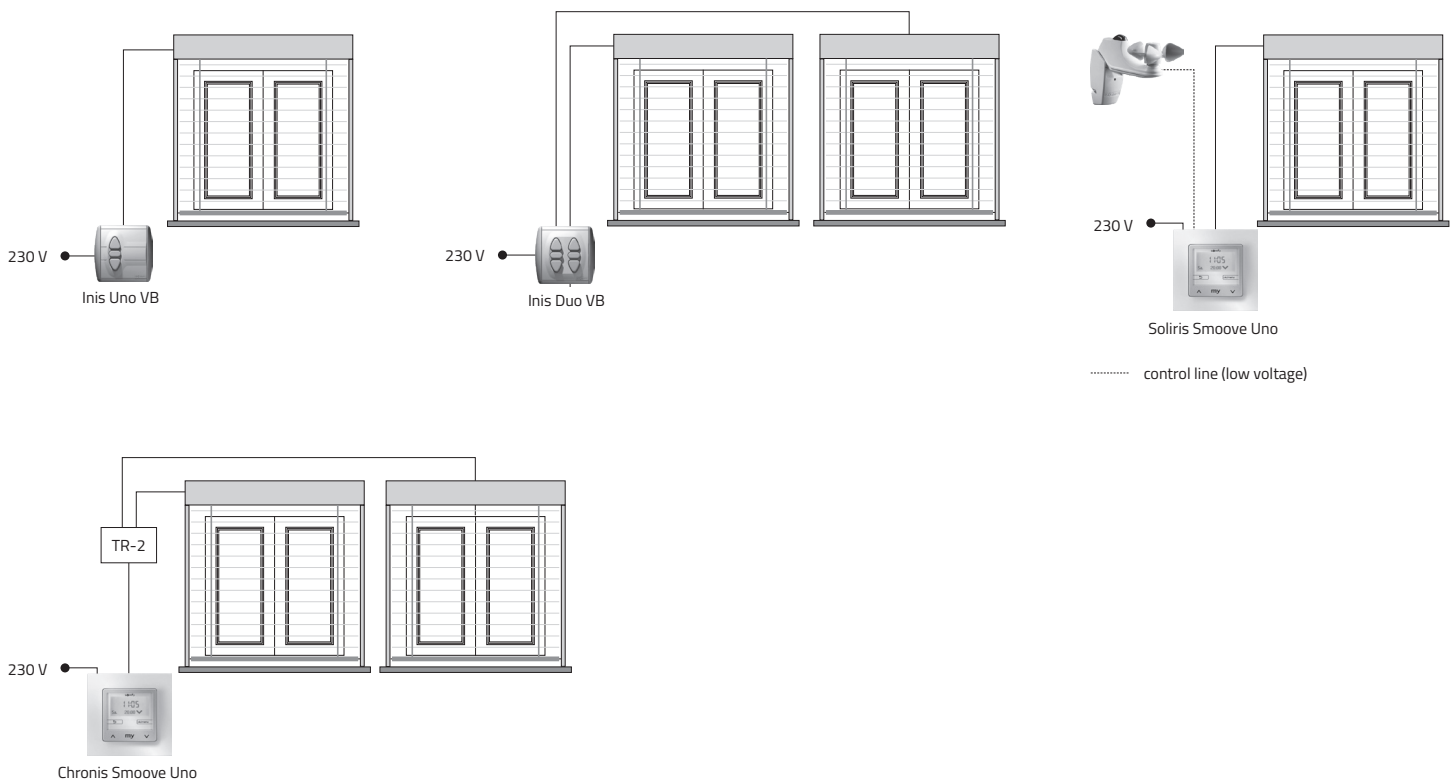
Please note: prices in the table are not subject to any discount.



DESCRIPTION OF THE SYSTEM:

Somfy UNO wired control system – wired technology links the control device to the motor using electrical wires that are embedded into the wall. The control is exercised by pressing the Up/Stop/Down buttons. Manual controls must be located near windows and in strategic areas.

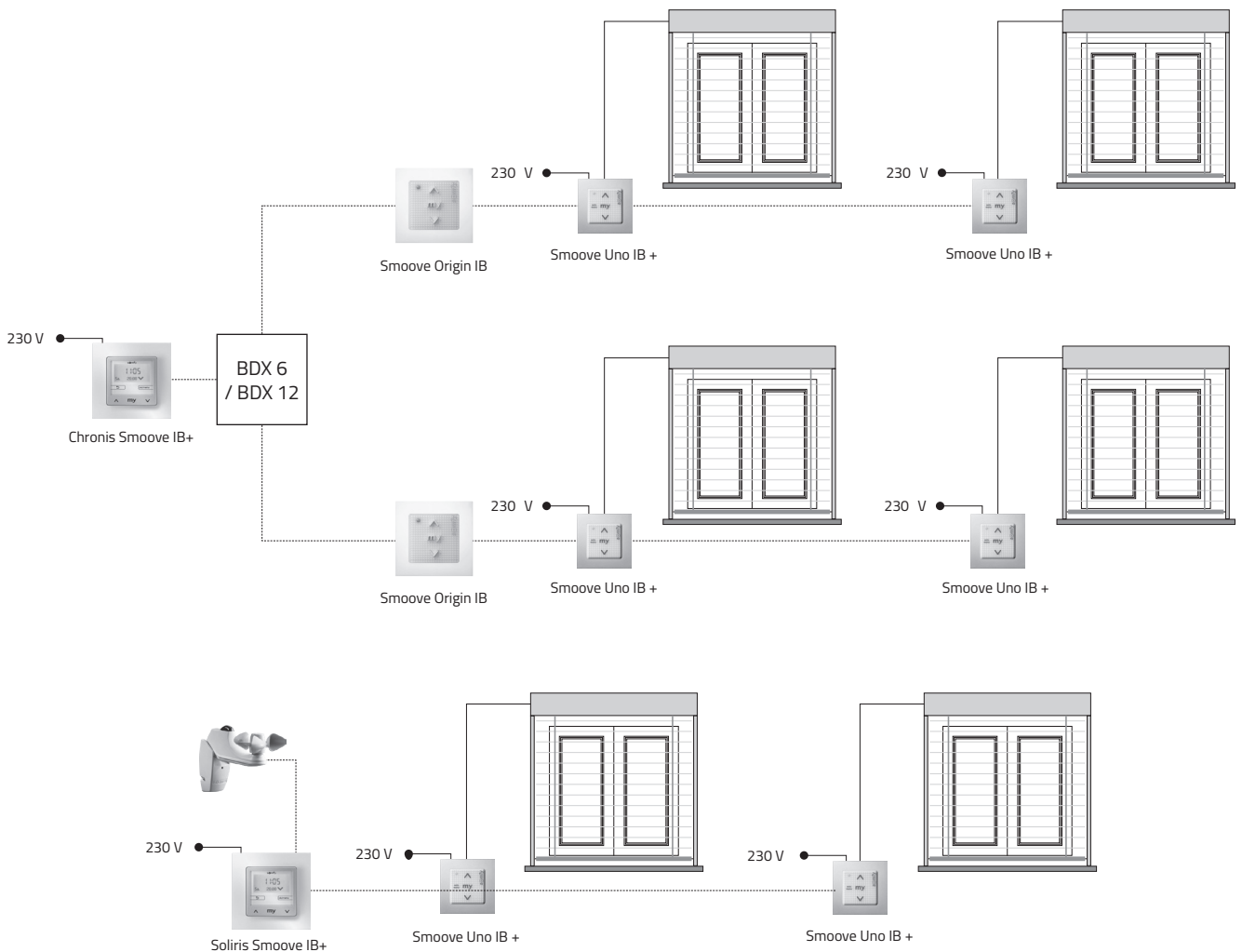
Name of product	Description of product	Price
Inis Uno VB	Wall mounted wired-control unit, manual: Up, Stop, Down functions.	13
Inis Duo VB	Wall mounted wired-control unit, manual: up,stop, down functions. Can control up to 2 blind or roller shutter motors.	18
Inteo Flush-Mounted Frame	Used with UNO/DUO series control units .	5
Chronis Smooove Uno	Manual or automatic control of one or more motors according to individual scenarios (max. 2 orders/day). Daily or weekly scenario. Up/down individual programming for every day of the week or the whole week (Mon.-Sun). Automatic summer/winter time. Large, backlit display, user-friendly interface. Presence simulation mode allows to change opening/closing times +/- 15 min.	103
Soliris Smooove Uno	Manual or automatic control (depending on time, wind and intensity of light). User-friendly, large, backlit display with menu-based interface enables programming via text display. Wind-sun sensor for sun and wind control. Easy setting of wind speed and light intensity threshold values on the control unit. Room thermostat – rain/sun sensor – compatible.	161
Sterownik TR-2	Simultaneous control of 2 drives with one switch or a dedicated shutter control. Invisible, flush-mounted in a Ø70 mm box (in rooms with low indoor air humidity).	52



THE SYSTEM:

IB wired control system – Somfy solution ideal for family houses, apartment buildings, company buildings or public facilities. Manual or automatic control of one or more units via a low-voltage circuit.

Name of product	Description of product	Price
Smoove Uno IB+	Manual control - Up/Stop/Down features. Receives commands from Centralis IB and Chronis IB control units. Memorises the favourite position. Designed for standard flush-socket installation. Fits in standard 50 x 50 mm frames.	74
Smoove Origin IB	Manual control - Up/Stop/Down features. Controls shutters activated by motors via SOMFY 'IB' low voltage line.	31
Chronis Smoove IB+	Manual or automatic control of one or more motors according to individual scenario (max. 4 orders/day). Automatic summer/winter time. Large, backlit display, user-friendly interface. Presence simulation mode allows to change opening/closing times +/- 15 min.	150
Soliris Smoove IB+	Manual or automatic control (depending on time, wind and intensity of light). User-friendly, large, backlit display with menu-based interface enables programming via text display. Wind-sun sensor for sun and wind control. Easy setting of wind speed and light intensity threshold values on the control unit. Room thermostat / rain/sun sensor compatible.	178
BDX-6	Separating filter for connection of up to 3 groups.	38
BDX-12	Separating filter for connection of up to 6 groups.	120

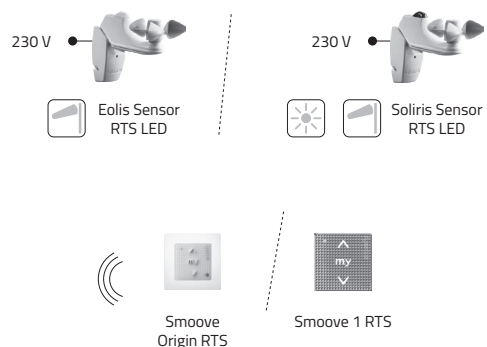
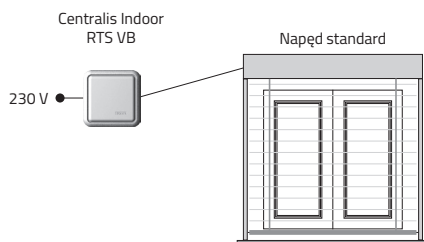


..... control line (low voltage)

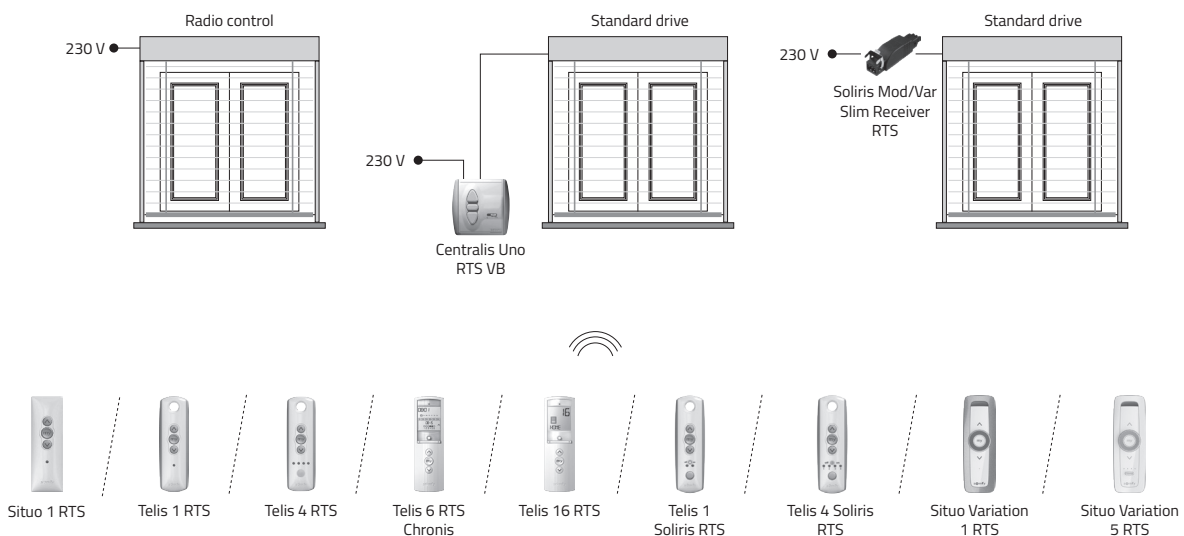
THE SYSTEM:












RTS - a radio system in which the commands are transmitted by radio waves. No electric wiring between the motor and the control. Installation is quicker and saves your walls from being damaged. The system provides a sense of comfort at low cost.

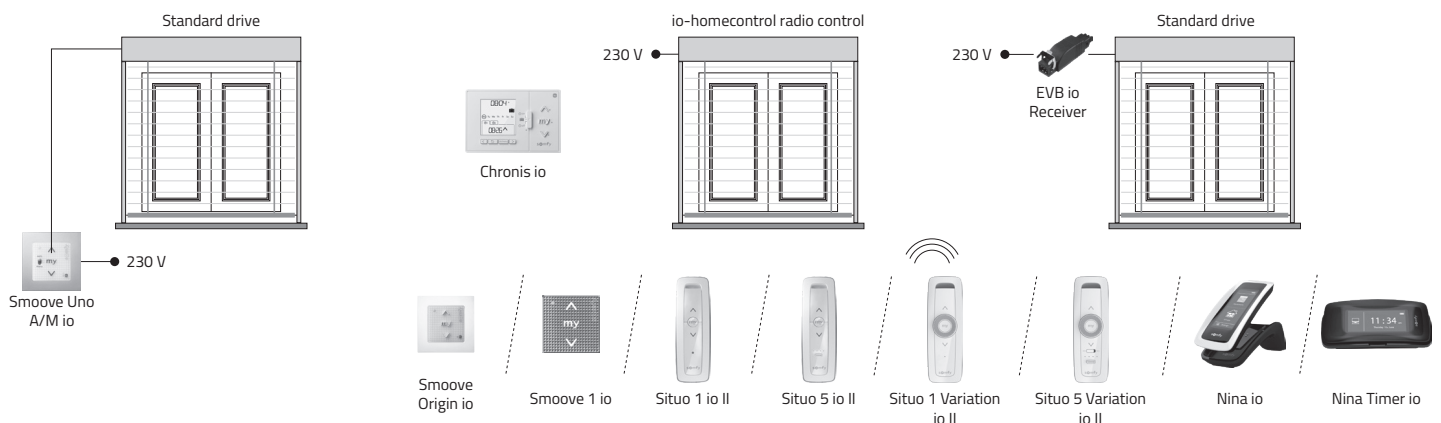
	Name of product	Description of product	Price
	Connexoon Window RTS	Enables you to manage RTS devices controlling sun-protection systems (roller shutters, external venetian blinds, roller blinds), RTS alarm and RTS lighting devices via your smartphone or tablet with iOS or Android with Internet access. Four customizable scenarios to adjust your RTS devices to suit the situation.	178
RADIO RECEIVERS	Soliris Mod/Var Slim Receiver RTS	Compact radio receiver suitable for controlling external blind motor. Central thumbwheel for alignment of blind slats. Fine tuning of slat orientation by scrolling the thumbwheel to the desired position. "My" button enables a favourite position to be memorized. Pressing the My button will automatically send the blinds to this position. For four wire drives powered by 230 V.	109
	Centralis Indoor RTS VB	Surface mounted Centralis Indoor RTS is a radio receiver compatible with all RTS controls (up to 12 controls). Note: no possibility to connect with weather sensors.	89
	Centralis Uno RTS VB	Wall-mounted wired control unit with integrated RTS radio receiver. Radio remote control a possibility. Manual control, Up, Stop, Down features. Possibility to turn off central control with a slide switch. Compatible with all RTS units. The automatic / manual feature allows the user to divert a unit from the centralized controls.	94
ON-WALL TRANSMITTERS	Smoove Origin RTS	New design. Battery-powered, one channel wireless wall-mounted RTS control unit. Simple to program and to modify. Manual operation by means of Up, Down and Stop features; no cabling. Compatible with all RTS units.	36
	Smoove 1 RTS	New design. Battery-powered, one channel control unit. Manual control of one or more motors/actuators (Up, Down, Stop features). No cabling, radio remote control, compatible with all RTS units. Colours: silver, pure, black.	44
WEATHER AUTOMATION SYSTEM	Wind sensor Eolis Sensor RTS LED	Radio wind sensor systematically measuring wind speed. For more protection against wind. Wireless communication with a radio-controlled drive unit and/or receiver. Convenient setting of wind threshold values. User-friendly, one button programming. Power supply: 230V Please note: the wind sensor must be mounted in a location enabling it to take accurate measurements.	96
	Sun and Wind sensor Soliris Sensor RTS LED	Radio wind and sun sensor systematically measuring light intensity and wind speed. Wireless communication with a radio-controlled drive unit and/or receiver. Convenient setting of light intensity and wind threshold values. User-friendly, one button programming. Power supply: 230V Please note: the sun and wind sensor must be mounted in a location enabling it to take accurate measurements.	120



	Name of product	Description of product	Price
REMOTE CONTROLS	Situo 1 RTS	Battery-powered, 1 channel , wireless radio remote control. Used as an individual or group control. Compatible with all types of external and integrated RTS receivers.	30
	Telis 1 RTS	Battery-powered, 1 channel , wireless radio remote control. Compatible with products fitted with RTS only. Used as an individual or group control.	Pure 33 Silver 41
	Telis 4 RTS	Battery-powered, 5 channel , wireless radio remote control compatible with products fitted with RTS only. Used as an individual or group control. Push-button for channel selection, diode (LED) indicating which channel has been selected.	Pure 59 Silver 65
	Telis 16 RTS	New Design Battery-powered, 16 channel , wireless radio remote control. Individual or group control of RTS motorised applications; LCD display. A choice of icons available to visually represent the product/s assigned to a channel.	Pure 138 Silver 151
	Telis 6 RTS Chronis	New Design Battery-powered, 6 channel , wireless radio remote control to manage up to 6 groups with time programming. Individual or group control of RTS motorised applications. Manual / Automatic modes combined with centralization and clock function. Motorized applications are automatically managed by the timer function. Time programming for each zone of the home with up to 6 time slots per day. Presence Simulation function to simulate a presence when the user is not at home. LCD display.	Pure 175 Silver 194
	Telis 1 Soliris RTS	Battery-powered, 1 channel , wireless radio remote control. Manages up to 5 RTS motors or groups of motors. It also has the added feature of activating an RTS sun sensor remotely. Up/Stop/My Preferred Position features.	Pure 53 Patio 70
	Telis 4 Soliris RTS	Battery-powered, 5 channel , wireless radio remote control. Manages up to 5 RTS motors or groups of motors. It also has the added feature of activating an RTS sun sensor remotely. Up/Stop/My Preferred Position features. Push-button for channel selection, diode (LED) indicating which channel has been selected.	Patio 74
REMOTE CONTROLS FOR BLINDS WITH TILTING SLATS	Situo Variation 1 RTS	Battery-powered, 1 channel , wireless radio remote control compatible only with products fitted with RTS. Used as an individual or group control. Used for blinds with tilting slats. Slats are precisely positioned using a central thumbwheel ('scroll' feature).	Pure 63 Silver 74
	Situo Variation 5 RTS	Battery-powered, 5 channel , wireless radio remote control compatible only with products fitted with RTS. Used as an individual or group control. Used for blinds with tilting slats. Slats are precisely positioned using a central thumbwheel ('scroll' feature). Push-button for channel selection, diode (LED) indicating which channel has been selected.	Pure 79 Silver 99









	Name of product	Description of product	Price
WALL MOUNTED CONTROL UNITS	Smoove Origin io 	Battery-powered, 1 channel , on-wall, radio transmitter. Manual control of one or more drives: Up/Stop/Down push buttons. Quick, easy and efficient installation No cabling.	42
	Smoove 1 io 	Battery-powered, 1 channel , on-wall, radio transmitter. Manual control of one or more drives: Up/Stop/Down touch buttons. Quick, easy and efficient installation No cabling. Colours available: silver, pure, black.	51
	Smoove 1 A/M io 	Battery-powered, 1 channel , on-wall, radio transmitter. Manual control of one or more drives: Up/Stop/Down touch buttons. Quick, easy and efficient installation No cabling. The central control can be switched on and off by means of the sliding switch. Colours available: silver, pure, black.	56
	Chronis io 	Battery-powered, 1 channel , on-wall radio transmitter. Manual/automatic control of one or more drives according to individual scenarios (max. 4 per day). Quick, easy and efficient installation. No cabling. Automatically switches from summer to winter time and back. A large display detailing all information can be read comfortably. Simple interface and ergonomic. Low battery warning indicator.	130
RECEIVER	Smoove Uno A/M io 	Receiver in a form of a switch, manual control using up/stop/down buttons. A/M switch to de/activate automatic and manual mode. Nina io, Situio1,5 io, Smoove io – compatible.	135
REMOTE CONTROLS	Situo 1 io II 	Controls one or more drives; 1 channel; individual/group/central control. Memorises your favourite position and allows you to find it instantly by pressing the “My” button. Low battery warning indicator.	39
	Situo 5 io II 	Controls one or more drives (5 channels); individual/group/central control. Memorises your favourite position and allows you to find it instantly by pressing the “My” button. Low battery warning indicator.	63
	Situo 1 Variation io II 	Battery-powered, 1 channel remote control; controls one or more drives. Individual/group/central operation possible. Memorises your favourite position and allows you to find it instantly by pressing the “My” button. “Scroll” wheel for easy and precise adjusting the slat angle. Low battery warning indicator.	70
	Situo 5 Variation A/M io II 	Battery-powered, 5 channel remote control; controls one or more drives. Individual/group/central operation possible. Memorises your favourite position and allows you to find it instantly by pressing the “My” button. “Scroll” wheel for easy and precise adjusting the slat angle. Low battery warning indicator.	89
	Nina io 	User friendly; intuitive interface with touchscreen. Display providing feedback on drives. Indicating and editing drives. Max. 60 drives, 30 groups. Max. 15 scenarios in each group. The set includes: Nina handset / base / power cord / battery.	214
	Nina Timer io 	User friendly; intuitive interface with touchscreen. Display providing feedback on drives. Indicating and editing drives. Max. 60 drives, 30 groups. Max. 15 scenarios in each group. The set includes: Nina handset / base / power cable / battery.	224

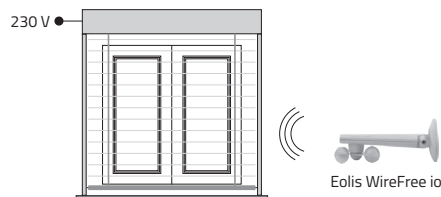


THE SYSTEM:

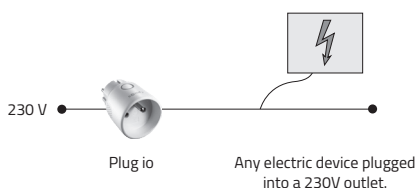
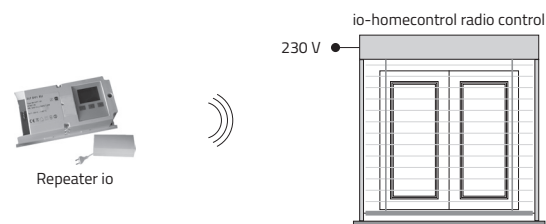
io-homecontrol® is Somfy's new radio communication protocol. A bi-directional system in which information is exchanged between control units, automated systems and motors, enabling feedback in real time, thus making installation, use and maintenance easier. No special infrastructure is required, hence low installation costs.

Name of product	Description of product	Price
Tahoma Premium 	A home automation system which controls both IO homecontrol and RTS units, it connects to your home network via any web-enabled device such as PC, tablet or smartphone. Easy programming: each device has a name and can be assigned to a room or a floor. There is a possibility to create up to 40 individual scenarios activated manually or automatically at a set time or by sensors. Compatible with All IO appliances. Tahoma can control up to 50 RTS devices (no feedback). Automatically switches to winter/summer time. Radio frequency: 868 – 870 MHz, 3 ranges, two-way IO homecontrol technology. Max. power consumption: 0,8 A. The set includes: Tahoma Premium, charger, power cable (no base). Dimensions: (length x height x width) 110 x 71 x 28 mm.	343
CONNEXOON 	An intuitive interface to programme scenarios. Leave home and check the status of the openings in your home (windows, shutters) and the alarm wherever you are. Wherever you are, consult the status of your roller shutters, exterior Venetian blinds, alarm, etc. in real time and control them easily. Four customisable modes, to adjust your window devices to suit the situation in just one click. The timer lets you program your devices according to the time of day.	Window 170
		Window & Acces 188
		Window & Terrace 188
Eolis WireFree io 	Bidirectional, battery-powered, radio controlled wind sensor. Quick and easy mount, no cabling (for quicker installation and more efficiency). The wind sensitivity can be adjusted via the Easy Sun io remote control. Wind threshold value is individually adjustable (with Sensor Box io). Easy programming at the touch of a button.	112
EVB io receiver 	A slim, radio controlled, receiver/transmitter to control external venetian blind drive. Innovative, automatic modes, combined with clock function. Detailed feedback (including slat angle). Ideal complement to your external blind; EVB io is an easy to mount adapter with plugs. Quick setup: startup time set automatically, end positions found automatically. "My" position is pre-programmed. Compatible with Situo Mobile io VB, Telis Composio io, Easy Sun io, TaHoma.	158
Repeater io 	Used in installations to extend the range of the standard RTS signal. It will extend the range of the signal to 40m, through 4 reinforced concrete walls. Any number of remote controls can be programmed; one remote control can be programmed in max. 3 repeaters. Switches on only when normal connection cannot be established. Only one repeater may be located between the transmitting device (Telis) and the receiving device (RTS motor).	147
Plug io 	Can remotely control electric devices up to 2300 W. Easy mount by plugging into a 230V socket. Any device connected to Plug io takes part in scenarios.	185

io-homecontrol radio control



Tahoma Premium

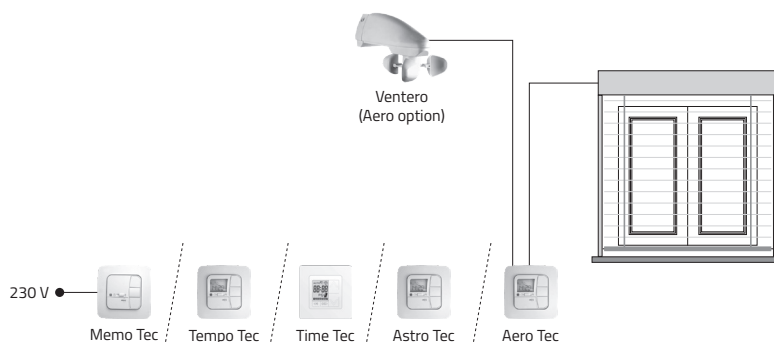


Connexoon

THE SYSTEM:

All types of roller shutters and sun protection devices can be operated with ProLine system. The solution is comfortable, uniform and intuitive.

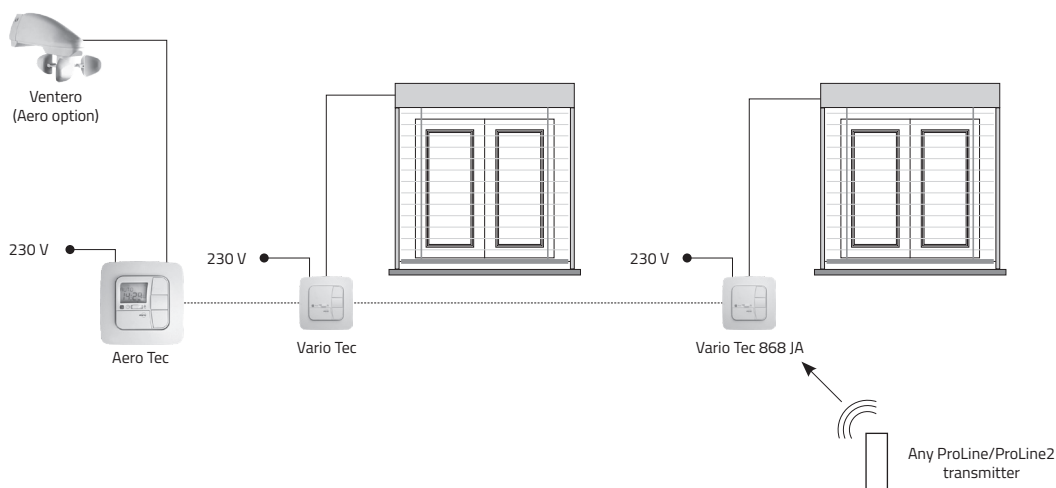
Name of product	Description of product	Price
Memo Tec	Manual control, Up/Stop/Down buttons. An intelligent switch with which an individual daily and weekly switching time can be programmed. Medium and ventilation options.	63
Tempo Tec	Manual control, Up/Stop/Down buttons. The hardwired timer opens the blind at fixed times and automatically closes it at sunset or at fixed times. Multilingual display (15 languages). Universally applicable Astro function. Automatically switches from summer to winter time and back. Presence simulation mode.	82
Time Tec	Up/Stop/Down buttons for manual control. User-friendly timer. Manual/Automatic mode switch.	48
Astro Tec	Individual switching times or manual operation, Up/Stop/Down buttons. Multilingual display (15 languages). Universally applicable Astro function. Automatically switches from summer to winter time and back. Presence simulation mode. Once coupled with Lumo sensor, AstroTec hardwired timer automatically moves the blind according to the sunrise and sunset times.	86
Aero Tec	Up/Stop/Down buttons for manual control of the motor. Multilingual display (15 lgs). Comfortable timer. Weather sensors – compatible.	99
Wind sensor Ventero	Wind sensor systematically measuring wind speed. For more protection against wind. Convenient setting of wind threshold values. Power supplied from the control unit. Please note: the wind sensor must be mounted in a location enabling it to take accurate measurements.	74
Sun and Wind sensor Aero	Wind and sun sensor systematically measuring light intensity and wind speed. Convenient setting of light intensity and wind threshold values. Power supplied from the control unit. Please note: the wind sensor must be mounted in a location enabling it to take accurate measurements.	99
Sun sensor Lumero	Lumero solar-powered radio light sensor with integrated solar cells systematically measures light intensity. Convenient setting of light intensity and wind threshold values. Power supplied from the control unit. Please note: the wind sensor must be mounted in a location enabling it to take accurate measurements.	46



DESCRIPTION OF THE SYSTEM:







All types of roller shutters and sun protection devices can be operated with ProLine system. The solution is comfortable, uniform and intuitive. Individual or group control is possible thanks to various controllers joined by a low voltage circuit.

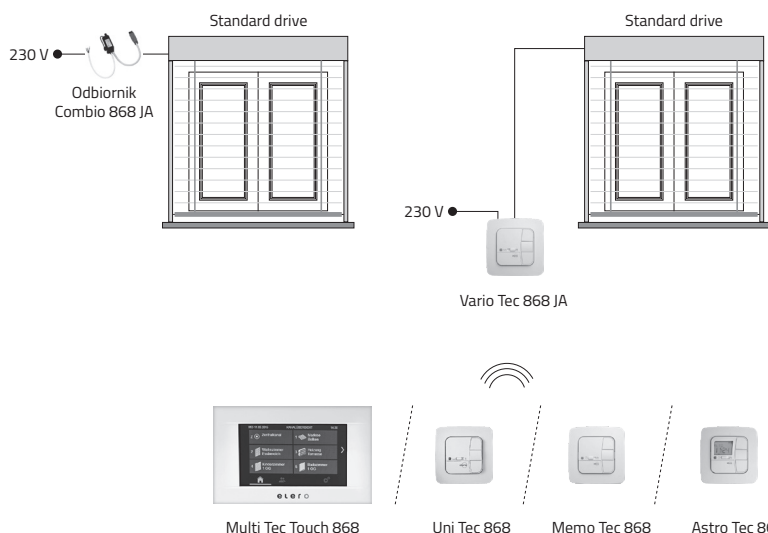
Name of product	Description of product	Price
Mono Tec	Wall-mounted transmitter used as a universal central and group button for comfort controls. Possibility to control two groups independently. Please note: do not connect directly to motor.	31
Vario Tec	Manually operated; Up/Stop/Down push-buttons. Manual/Automatic sliding switch. Can be used as an individual, group or central control unit. Operates on the basis of manual or external control commands. Two intermediate positions can be programmed.	77
Vario Tec 868 JA	Operates on the basis of manual or external control commands; a built-in radio receiver Up/Stop/Down push-buttons. Two intermediate positions can be programmed (intermediate and ventilation position).	117
Aero Tec	Up/Stop/Down buttons for manual control of the motor. Multilingual display (15 lgs). Comfortable timer. Weather sensors – compatible.	99
Wind sensor Ventero	Wind sensor systematically measuring wind speed. For more protection against wind. Convenient setting of wind threshold values. Power supplied from the control unit. Please note: the wind sensor must be mounted in a location enabling it to take accurate measurements.	74
Sun and Wind sensor Aero	Wind and sun sensor systematically measuring light intensity and wind speed. Convenient setting of light intensity and wind threshold values. Power supplied from the control unit. Please note: the wind sensor must be mounted in a location enabling it to take accurate measurements.	99
Sun sensor Lumero	Lumero solar-powered radio light sensor with integrated solar cells systematically measures light intensity. Convenient setting of light intensity. Power supplied from the control unit. Please note: the wind sensor must be mounted in a location enabling it to take accurate measurements.	46





DESCRIPTION OF THE SYSTEM:

ProLine and ProLine2 bidirectional radio control systems from elero offer flexibility and hassle-free setup. Bidirectional transceivers receive, confirm and transmit signals. Radio commands are forwarded to radio receivers which otherwise might be out of range (routing); also the user can directly see the status of signal processing on the hand-held transmitter. The design of all devices is modern, yet timeless.

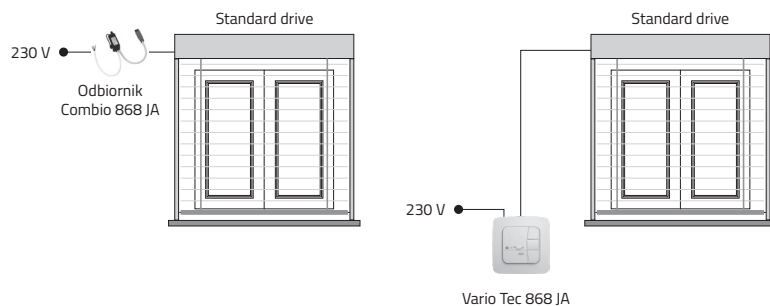
	Name of product	Description of product	Price
RECEIVERS	Vario Tec 868 JA	Operates on the basis of manual or external control commands; a built-in radio receiver Up/Stop/Down push-buttons. Two intermediate positions can be programmed (intermediate and ventilation position).	117
	Combio 868 JA Puls  	A built-in, radio receiver to control external venetian blind drive. Compatible with all ProLine and ProLine2 transmitters. Precise setting of the slats through pulse operation (pulse duration adjustable). To be mounted inside the box, IP 56. Plug compatible with Tubular RM and RevoLine drives.	86
	Invio 868	A built-in, 1-channel, flush-mount radio transmitter suitable for all ProLine radio receivers. Power supply - 230 V Can be controlled by commercially available venetian blind buttons. Can control one or more receivers simultaneously.	104
	Revio 868  	A flush-mounted radio receiver for tubular and venetian blind motors, can be controlled by all ProLine and ProLine2 transmitters. Up/Down switch can be connected. Mounted in an IP 20 (60x60) flush-mounted panel box.	104
ON-WALL TRANSMITTERS	Uni Tec 868 	Battery-powered, 1-channel, wall-mounted radio transmitter. Can control one or more receivers simultaneously. Features manual/automatic switching. Simple mount, no switch box.	51
	Memo Tec 868	Battery-powered, 1-channel, wall-mounted radio transmitter. An intelligent switch to program an individual daily and weekly switching time with (max. 2 switching times/24hrs). Can control one or more receivers simultaneously. Features manual/automatic switching. Simple mount, no switch box.	89
	Astro Tec 868	Battery-powered, 1-channel, wall-mounted radio transmitter with integrated timer with Astro function. Can control one or more receivers simultaneously. Simple mount, no switch box. Manual control with Up/Stop/Down push-buttons. Multilingual display (15 languages). User friendly timer, Astro function (opening/closing of the blinds according to sunrise/sunset times). Automatically switches to summer/winter time and back.	122
	Multi Tec Touch 868 	20 single channels, 5 groups, 1 central channel. Intuitive touch screen with transparent interface. Globally applicable Astro program. Summer/winter time switched automatically.	394



 **RELIABLE FEEDBACK**
"ProLine2" radio transmitters receive feedback from the receiver confirming the reception of the signal transmitted. Should the transmission fail (despite being repeated automatically) due to receiver's fault, LED light turns red.

 **ROUTING**
A great advantage of the ProLine 2 bi-directional radio system is its routing function, which ensures that the radio signals are transmitted via another radio receiver if the direct path to the electrical drive is not possible, e.g. due to reflecting walls.

Name of product	Description of product	Price	
Centero	For operating your entire building technology, simply and intuitively. Thanks to the specially developed App, in which the programmed devices appear automatically, several users can access the Centero in parallel via smartphone or tablet. Bi-directional radio connection; free app; encrypted data transfer. Easy to install.	788	
PILOTY PROLINE 2	Solo Tel 2	Battery-powered, single-channel radio transmitter (hand-held/ wall-mounted). Large buttons for comfortable operation. Individual and group control; simple mount, no switch box. Can be used uni- and bidirectionally. Colours available: white, silver, black.	28
	Mono Tel 2	Battery-powered, single-channel, hand-held radio transmitter; used both uni- and bidirectionally. Can be used as an individual, group or central transmitter. Large Up/Down/Stop buttons. LED indicator, magnetic wall holder. Colours available: white, silver, anthracite.	56
	Lumero Tel 2	Battery-powered, single channel hand-held radio transmitter with three Up/Stop/Down buttons. Manual/ Automatic operation select button; when the radio command is successfully performed, the circular light lights up green. Magnetic wall holder, feedback commands (bidirectional). Colours available: white, silver, anthracite.	66
	Vario Tel 2	Battery-powered, 5-channel, hand-held radio transmitter (5 individual channels, 1 central channel). Large Up/Stop/Down buttons. LED indicator, magnetic wall holder. Every channel can be operated manually or automatically. Feedback commands (bidirectional).	79
	Tempo Tel 2	Battery-powered, 10+1 channel hand-held radio-transmitter (10 single channels, 2 group channels, 1 central channel). Large Up/Stop/Down buttons; transmitted and feedback commands are visualised via a LED; 7 languages. Easy operation (joystick). Integrated timer with Astro function and holiday programme. Daily and weekly switching time. Feedback commands (bidirectional). Colours available: white, silver, anthracite.	109
	Multi Tel 2	Battery-powered, multi channel (15) hand-held radio transmitter (15 individual channels, 2 sub group channels, 1 master group channel). Large Up/Stop/Down buttons for easy operation. Transmitted and feedback commands are visualised via a LED. Easy operation (joystick); 7 languages. Feedback commands (bidirectional). Colours available: white, silver, anthracite. Please note: not compatible with ProLine system.	109



	Name of product	Description of product	Price
PROLINE2 RADIO TRANSMITTERS	MonoCom 1	Battery-operated, 1-channel remote control. Easy to use Up/Stop/Down buttons. LED status indicator. Wall holder. Feedback signal (bidirectional). Colour: white.	58
	MonoCom 1 Slide	Battery-operated, 1-channel remote control. Easy to use Up/Stop/Down buttons. Slider for additional control over the movement of the blind. LED status indicator. Wall holder. Feedback signal (bidirectional). Colour: white.	63
	VarioCom 6	Battery-operated, 6-channel remote control. Easy to use Up/Stop/Down buttons. Every channel can be operated manually or automatically. LED status indicator. Wall holder. Feedback signal (bidirectional). Colour: white.	82
	VarioCom 6 Slide	Battery-operated, 6-channel remote control. Easy to use Up/Stop/Down buttons. Slider for additional control over the movement of the blind. Every channel can be operated manually or automatically. LED status indicator. Wall holder. Feedback signal (bidirectional). Colour: white.	86
TRANSMITTERS	MonoTec 868	Battery-operated, 1-channel, on-wall transmitter. Controls one or several transmitters (simultaneously). Simple mount, no switch box. Feedback signal (bidirectional). Colour: white.	41



MonoCom 1



MonoCom 1 Slide



VarioCom 6

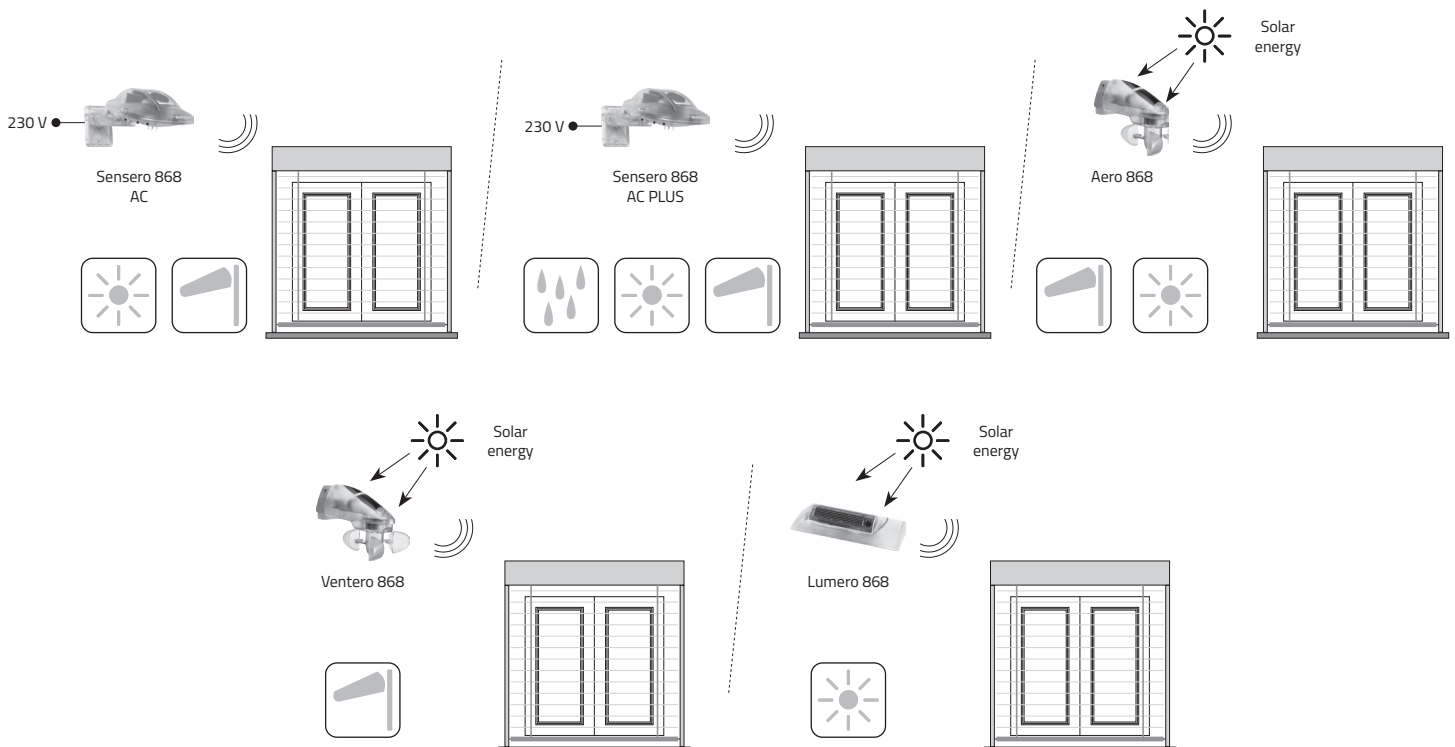


VarioCom 6 Slide



MonoTec 868

Name of product	Description of product	Price
Sun and Wind sensor Sensero 868 AC	A light, wind and rain radio sensor. With light, twilight and wind function, depending on requirements. Power supply 230V. Wireless communication with radio drive and/or radio receiver. ProLine and ProLine2 compatible. Convenient setting of wind and light threshold values. Innovative flow sensor to measure wind speed. Please note: the sensor must be mounted in a location enabling it to take accurate measurements.	163
Sun and Wind sensor Sensero 868 AC PLUS	A light, wind and rain radio sensor. Light, twilight and wind function and additional rain sensor. Power supply 230V. Wireless communication with radio drive and/or radio receiver. ProLine and ProLine2 compatible. Convenient setting of wind and light threshold values. Innovative flow sensor to measure wind speed. Please note: the sensor must be mounted in a location enabling it to take accurate measurements.	254
Sun and Wind sensor Aero 868	Light and wind sensor. Integrated solar cells provide the power to run the unit. Wireless communication with radio drive and/or radio receiver. Convenient setting of wind and light threshold values. Please note: the sensor must be mounted in a location enabling it to take accurate measurements.	219
Sun and Wind sensor Aero 868 AC	Sun and wind sensor. Power supply 230V. Wireless communication with radio-controlled motor and/or radio receiver. ProLine, ProLine2 – compatible. Easy setting of wind speed and light intensity threshold values. Please note: the sun and wind sensor must be mounted in a location enabling it to take accurate measurements.	226
Wind sensor Ventero 868	Solar powered wind sensor; integrated solar cells provide the power to run the unit. Wireless communication with radio drive and/or radio receiver. Convenient setting of wind threshold values. Please note: the sensor must be mounted in a location enabling it to take accurate measurements.	183
Sun sensor Lumero 868	Solar powered, radio operated light sensor. Integrated solar cells provide the power to run the unit. Wireless communication with radio drive and/or radio receiver. Convenient setting of light threshold values. Please note: the sensor must be mounted in a location enabling it to take accurate measurements.	112



1. Prices are in Euros (EUR); they are net prices per unit – pc, set (i.e. they do not include VAT).
2. All prices are suggested purchase prices. The Buyer is entitled to a discount in accordance with previously fixed arrangements.
3. Prices do not include the cost of installation.
4. Price lists refer to standard versions of products only.
5. Prices of external sun protection systems do not include the price of screws and pins necessary for installation.
6. If the size required exceeds the one in the price list, the price of the product of the next size will apply (eg. the size: 510 mm x 1290 mm will be treated as 600 mm x 1300 mm and charged likewise).
7. All extra charges included in the price list are to be added to net prices. Discounts will be offered on all extra charges as well as on additional equipment and accessories.
8. Prices are valid from the date specified on page 1 of the price list.
9. The prices are valid from 15.06.2020 until further notice.
10. For orders placed later than 11.00 am the time of delivery is counted from the next working day.
11. Drawings in the price list are for illustration purposes only.



Part of WAREMAGROUP

Anwis sp. z o.o.
PL, 87-800 Włocławek, Smocza 16/18
tel. +48 54 412 88 00, fax +48 54 412 88 26
www.anwis.pl